



# SERIES "A" INSTALLATION DATA AND DIMENSIONS

## MOTOR DATA

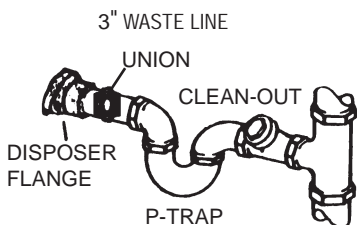
HP	PH	Voltage	Amps.
5	3	208-230/460	17.0/8.5
7½	3	208-230/460	22.0/11.0
10	3	208-230/460	26.0/13.0

Continuous Duty-Dual Voltage and Dual Direction-1750 RPM-60 CY Motors. Full service factor-in accordance with NEMA & NEC electrical codes. Bearings permanently lubricated.

## DISPOSER PLUMBING

**INLET:** ¾" cold water supply at 20 lbs. minimum flow pressure.  
**OUTLET:** 2" female std. thread pipe coupling. Connect directly to drain, not thru grease trap.  
**DRAIN:** Min. slope ¼" per foot. Use recessed thread fitting w/pipe ends reamed/burr-free. Use short horizontal line w/ elbows and tees at minimum, using only long-sweep type. Connected to 3" branch line running into stack. Install with union.  
**IMPORTANT:** Rod and clean drain before using disposer, even in a new installation. Purge water supply line before connecting plumbing accessories.

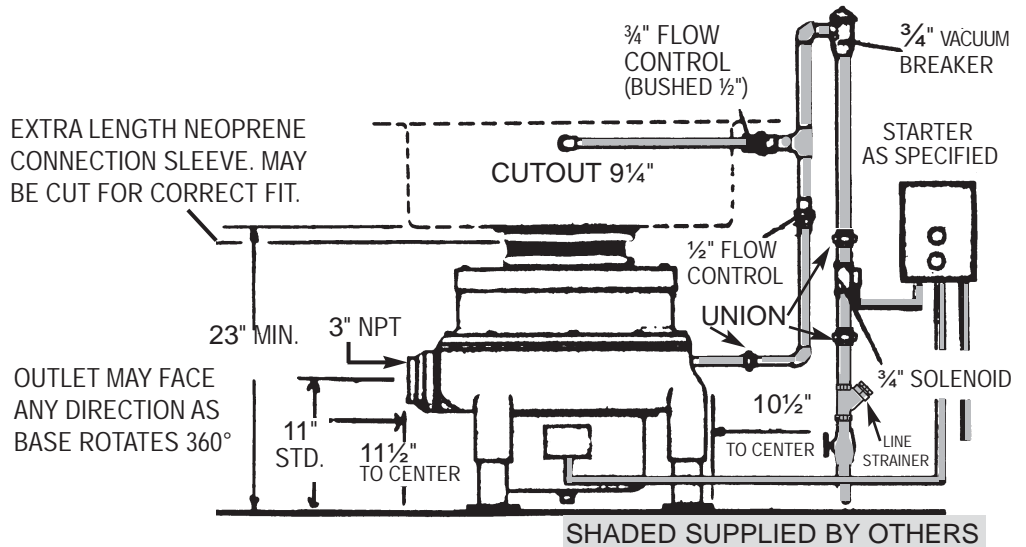
## SUGGESTED DRAINLINE CONNECTION



**NOTE:**  
 ALL ELECTRICAL AND PLUMBING CONNECTIONS SHOULD BE MADE ACCORDING TO LOCAL AND AREA CODES.

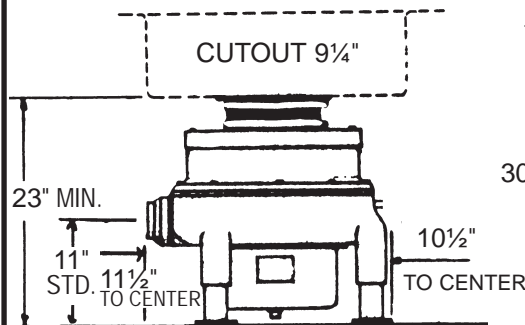
## TYPICAL INSTALLATION

### 8¼" SINK/TROUGH ADAPTOR 'SK'

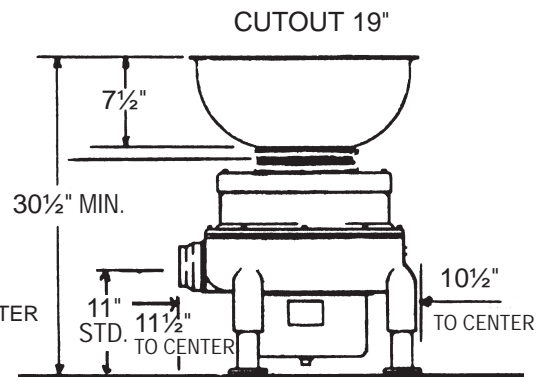


## DIMENSIONS

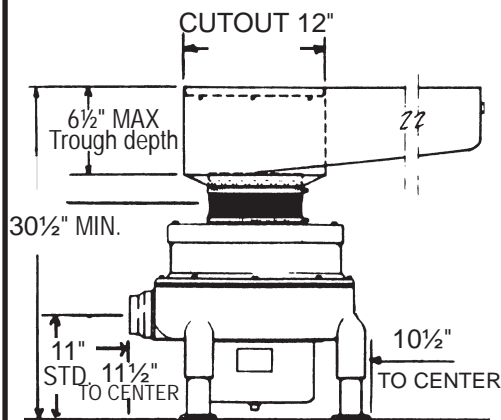
### 8¼" SINK/TROUGH ADAPTOR 'SK'



### 18" BOWL / CONE 'BC'



### 12" TRANSITION CYLINDER 'TC'



All dimensions are for "L" Low Chamber  
 For "O" Offset Chamber, consult factory.



FORM AS307 PRINTED IN U.S.A.