

**MODEL RMS-2**

**RMS
SERIES
MANUAL REVERSING
DRUM SWITCH**

For "D" series disposers only.

Model No.	Voltage	Phase	H.P.
RMS-2	115	1	1 to 2
	230	1	1 to 2
	208-230/460	3	1 to 2

**PRODUCT INFORMATION:**

- **APPLICATION:** Provides manually operated reversing of disposer which doubles the life of impact bars and sizing ring. Use when magnetic contactor and overload protection are not required.
- **DESIGN AND CONSTRUCTION:** NEMA4, watertight painted enclosure. Durable steel activating lever with positive stops for forward and reverse positions.
- **WARRANTY:** One full year from date of purchase by end user or eighteen months from date of shipment from factory, covering defects in material or workmanship; parts and labor included.



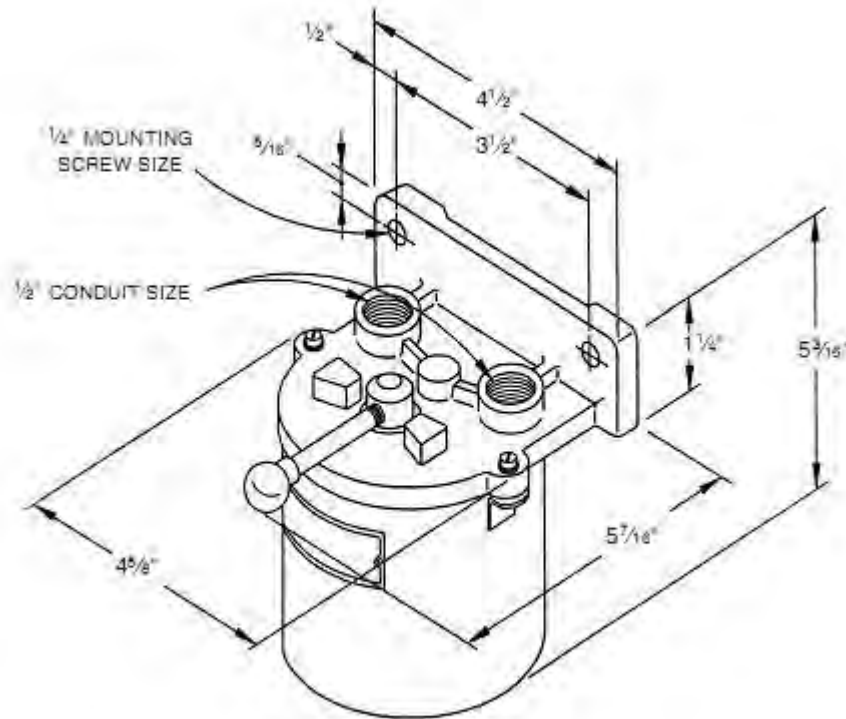
Consultant/Contractors Approval

Master Disposers

SOMAT COMPANY
165 Independence Court, Lancaster, PA 17601
717-397-5100 — FAX #717-299-4131
800-237-6628 ext. 173 — www.masterdisposers.com

TW Food Equipment Group

**MODEL RMS-2
MANUAL REVERSING DRUM SWITCH**



RMS-2

■ **SHIPPING DIMENSIONS AND WEIGHTS:**

MODEL NO.	WIDTH		DEPTH		HEIGHT		WEIGHT		VOLUME	
	in.	mm	in.	mm	in.	mm	lbs.	kg	cu. ft.	cu. m
RMS-2	5	127	5	127	7	178	3	1	0.1	.01

■ **BID SPECIFICATIONS: (Example)**

Item No. _____ Drum Switch

Drum Switch shall be Master Disposers model RMS-2.*

Construction: Shall be NEMA4 watertight, cast aluminum and steel enclosure with top mounted lever actuator.

Approvals and Warranty: Shall be UL (Underwriters Laboratories, Inc.) listed. Warranty shall cover parts, labor and mileage on all components for one year.

* **Specify HP, Voltage, and Phase when ordering**

Master Disposers is not responsible for any typographical errors. Due to continued product improvement specifications are subject to change without prior notice.

Master Disposers

SOMAT COMPANY
165 Independence Court, Lancaster, PA 17601
717-397-5100 — FAX #717-299-4131
800-237-6628 ext. 173 — www.masterdisposers.com

